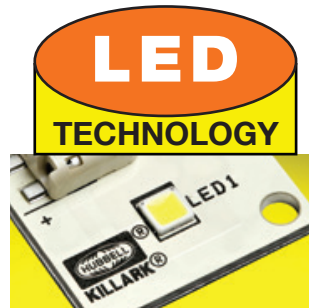




LIGHTING

REDUCED PROFILE – INTRODUCTION



Expanded wattage range
RANGE 40W, 45W, 50W

Class I, Div. 2, Groups A,B,C,D
Class I, Zone 2, Groups IIC,IIB,IIA
Class II, Div. 1 & 2, Groups E,F,G
Class III
Suitable for wet locations
Marine Rated (US only)
NEMA 3, 4X

 Certified - File LR11713

CERTILITE[®]V LED

FEATURES-SPECIFICATIONS

Applications

CertiLite[®]V VM1L LED fixtures are designed for installations where moisture, dirt, dust, corrosion and vibration may be present, or NEMA 3 and 4X areas where wind, water, snow or high ambients can be expected. They can be used in locations made hazardous by the presence of flammable vapors or gases or combustible dusts as defined by the NEC.

Typical applications include manufacturing plants, and certain chemical and petrochemical processing facilities, sewage treatment plants, off-shore and dockside installations, garages and storage facilities.

Compliances

- UL-8750 for LED lighting
- UL Marine type lighting fixtures (HID models) UL-844 Standard for lighting fixtures for hazardous locations, Class I, Division 2; Class II, Divisions 1 and 2; Class III
- CSA C22.2 no. 137-M1981 electric luminaires for use in hazardous locations
- Enclosed and gasketed
- NEMA 3, 4X

Materials

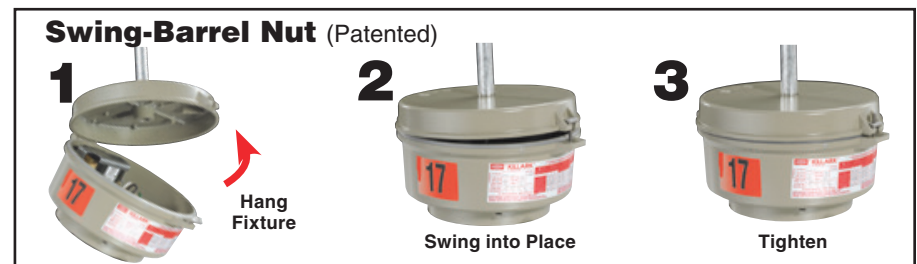
- Ballast tank, splice box and cast guards corrosion resistant copper-free aluminum alloy
- Baked powder epoxy/polyester finish, electrostatically applied for complete, uniform corrosion protection
- All external hardware - stainless steel
- Reflectors - Polyester reinforced fiberglass

LED Luminaire Features and Standards

- Reduced profile with Traditional Industrial Appearance and Suitability

- Wide variety of optics including globes, globes with reflectors, all-glass refractors, and spin-top refractors
- Swing-Barrel Nut patented tank mounting system
- Optional Mounting arrangements including Pendant, Wall, Ceiling, Stanchion and others
- VM1L LED Housings can be retrofitted to existing VM splice boxes; upgrade from HID sources
- Energy Savings - less than 55 Watts of Power
- Long Life - 50,000 - 55,000 maintenance free hours to 70% initial lumens
- Crisp White Light for Excellent Color Rendering - Chromaticity 5000°K (CCT); 70 CRI
- Ambient suitability -40°C to 55°C
- Instant on - including after power interruption
- "World Voltage" 120-277VAC 50/60Hz
- Solder-LESS LED Board Connections - Vibration Resistant
- Dual Drivers - Redundant Systems (built-in backup), or for additional energy savings half of VM1L4530 can be turned off
- LM80-08* Measurement of lumen maintenance for LED light sources
- LM79-08* Certified "Absolute" Photometry, including Chromaticity Color for Solid State Lighting
- L70 Values - Industry Nomenclature for Hours of use to 70% of Initial Lumens

* LM-xx are Illumination Engineering Society Standards designed to promote uniformity in testing procedures among test labs and manufacturers. For more information go to www.ies.org



NEW!
NON-GLASS
FOOD SUITABILITY

Polycarbonate 12" Spin-top Refractor VZRG2550



Photo controls - Class I Div. 2 / N4X areas

Available as Field or Factory Installed to save energy when light not required.



Earthquake Tab -

Built-in attachment point for safety cables.

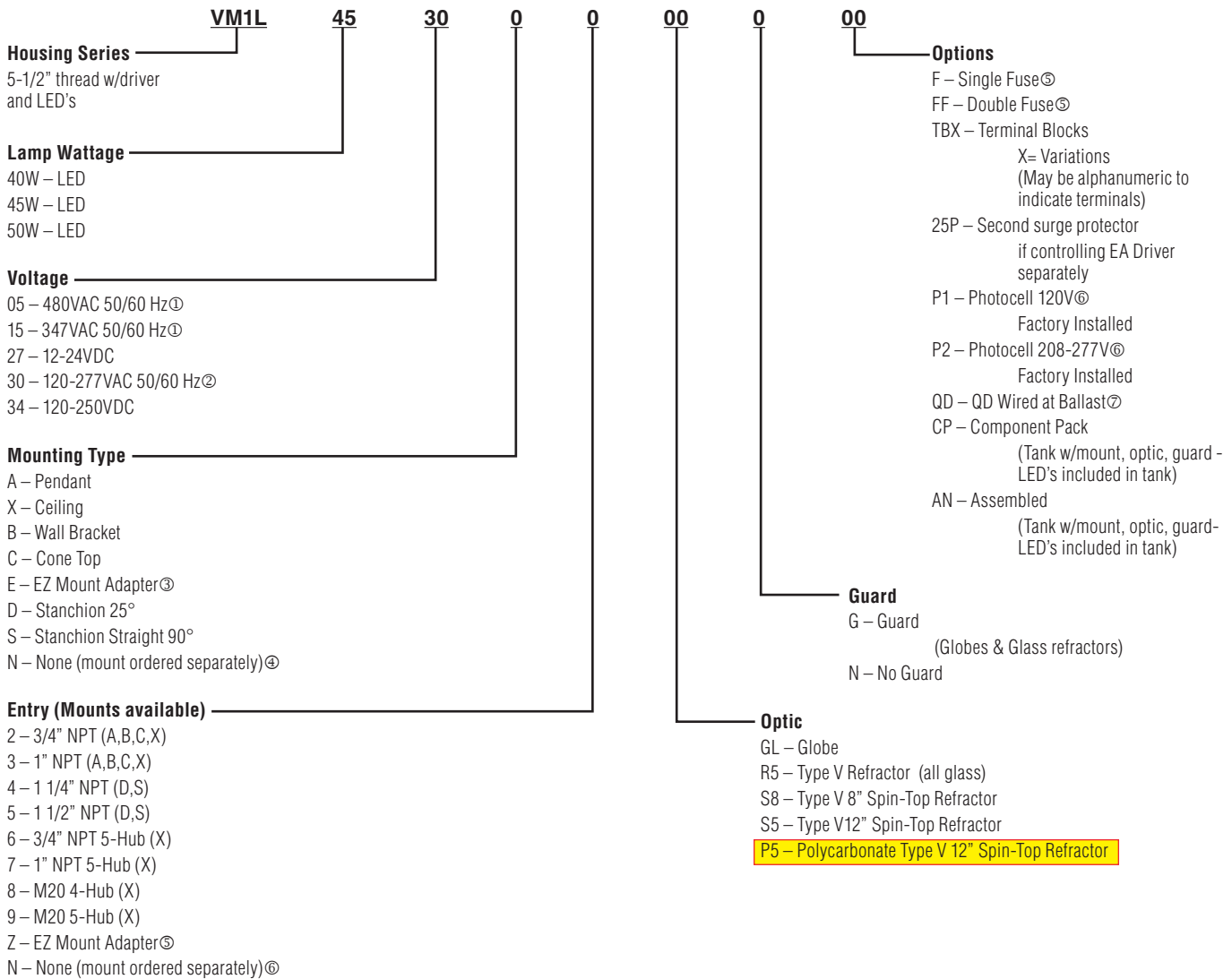
Safety: Secures fixture to structure in case of conduit failure.



REDUCED PROFILE – CATALOG LOGIC



CertiLite®V LED Catalog Number Logic



Ⓢ Single step-down transformer feeds 2 drivers.
 Ⓢ Dual drivers 40W, 45W, & 50W.
 Ⓢ Completes as "EZ", conduit mounting boxes ordered separately. - See page L31
 Ⓢ NN mount ordered separately.
 Ⓢ Fusing not for Marine or Canadian installations.
 Ⓢ Photo cells for Class I, Div. 2 only.
 Ⓢ QD = Quick Disconnect. Allows easy tank removal for maintenance. Electrician simply unplugs tank from mount for fixture relocation or repair due to impact damage.



REDUCED PROFILE – ORDERING INFORMATION



PENDANT

CEILING

WALL

CONE

ORDERING INFORMATION

VM1L SERIES PENDANT WITH OPTIC AND GUARD ①

WATTS	HUB SIZE ②	VOLTAGE ③	GLOBE & GUARD	TYPE V GLASS REFRACTOR & GUARD	8" SPIN-TOP TYPE V REFRACTOR & GUARD	12" SPIN-TOP TYPE V REFRACTOR & GUARD
40	3/4"	120-277VAC	VM1L4030A2GLG	VM1L4030A2R5G	VM1L4030A2S8G	VM1L4030A2S5G
45	3/4"	120-277VAC	VM1L4530A2GLG	VM1L4530A2R5G	VM1L4530A2S8G	VM1L4530A2S5G
50	3/4"	120-277VAC	VM1L5030A2GLG	VM1L5030A2R5G	VM1L5030A2S8G	VM1L5030A2S5G

VM1L SERIES CEILING WITH OPTIC AND GUARD ①

WATTS	HUB SIZE ②	VOLTAGE ③	GLOBE & GUARD	TYPE V GLASS REFRACTOR & GUARD	8" SPIN-TOP TYPE V REFRACTOR & GUARD	12" SPIN-TOP TYPE V REFRACTOR & GUARD
40	3/4"	120-277VAC	VM1L4030X2GLG	VM1L4030X2R5G	VM1L4030X2S8G	VM1L4030X2S5G
45	3/4"	120-277VAC	VM1L4530X2GLG	VM1L4530X2R5G	VM1L4530X2S8G	VM1L4530X2S5G
50	3/4"	120-277VAC	VM1L5030X2GLG	VM1L5030X2R5G	VM1L5030X2S8G	VM1L5030X2S5G

VM1L SERIES WALL WITH OPTIC AND GUARD ①

WATTS	HUB SIZE ②	VOLTAGE ③	GLOBE & GUARD	TYPE V GLASS REFRACTOR & GUARD	8" SPIN-TOP TYPE V REFRACTOR & GUARD	12" SPIN-TOP TYPE V REFRACTOR & GUARD
40	3/4"	120-277VAC	VM1L4030B2GLG	VM1L4030B2R5G	VM1L4030B2S8G	VM1L4030B2S5G
45	3/4"	120-277VAC	VM1L4530B2GLG	VM1L4530B2R5G	VM1L4530B2S8G	VM1L4530B2S5G
50	3/4"	120-277VAC	VM1L5030B2GLG	VM1L5030B2R5G	VM1L5030B2S8G	VM1L5030B2S5G

VM1L SERIES CONE WITH OPTIC AND GUARD ①

WATTS	HUB SIZE ②	VOLTAGE ③	GLOBE & GUARD	TYPE V GLASS REFRACTOR & GUARD	8" SPIN-TOP TYPE V REFRACTOR & GUARD	12" SPIN-TOP TYPE V REFRACTOR & GUARD
40	3/4"	120-277VAC	VM1L4030C2GLG	VM1L4030C2R5G	VM1L4030C2S8G	VM1L4030C2S5G
45	3/4"	120-277VAC	VM1L4530C2GLG	VM1L4530C2R5G	VM1L4530C2S8G	VM1L4530C2S5G
50	3/4"	120-277VAC	VM1L5030C2GLG	VM1L5030C2R5G	VM1L5030C2S8G	VM1L5030C2S5G

① Catalog numbers shown are with Guard; to omit guard change ending G to N; e.g. VM1L4530A2GLN

② Catalog numbers shown are with 3/4" conduit openings; change "2" to "3" for 1" e.g. VM1L4530A3GLG

③ 120VAC through 277VAC 50/60Hz



REDUCED PROFILE – ORDERING INFORMATION



STANCHION 25°



STANCHION STRAIGHT



EZ ADAPTER

ORDERING INFORMATION

VM1L SERIES 250 STANCHION WITH OPTIC AND GUARD ①

WATTS	HUB SIZE②	VOLTAGE③	GLOBE & GUARD	TYPE V GLASS REFRACTOR & GUARD	8" SPIN-TOP TYPE V REFRACTOR & GUARD	12" SPIN-TOP TYPE V REFRACTOR & GUARD
40	1-1/2"	120-277VAC	VM1L4030D5GLG	VM1L4030D5R5G	VM1L4030D5S8G	VM1L4030D5S5G
45	1-1/2"	120-277VAC	VM1L4530D5GLG	VM1L4530D5R5G	VM1L4530D5S8G	VM1L4530D5S5G
50	1-1/2"	120-277VAC	VM1L5030D5GLG	VM1L5030D5R5G	VM1L5030D5S8G	VM1L5030D5S5G

VM1L SERIES STRAIGHT STANCHION WITH OPTIC AND GUARD ①

WATTS	HUB SIZE②	VOLTAGE③	GLOBE & GUARD	TYPE V GLASS REFRACTOR & GUARD	8" SPIN-TOP TYPE V REFRACTOR & GUARD	12" SPIN-TOP TYPE V REFRACTOR & GUARD
40	1-1/2"	120-277VAC	VM1L4030S5GLG	VM1L4030S5R5G	VM1L4030S5S8G	VM1L4030S5S5G
45	1-1/2"	120-277VAC	VM1L4530S5GLG	VM1L4530S5R5G	VM1L4530S5S8G	VM1L4530S5S5G
50	1-1/2"	120-277VAC	VM1L5030S5GLG	VM1L5030S5R5G	VM1L5030S5S8G	VM1L5030S5S5G

VM1L SERIES EZ ADAPTER WITH OPTIC AND GUARD ①

WATTS	HUB SIZE②	VOLTAGE③	GLOBE & GUARD	TYPE V GLASS REFRACTOR & GUARD	8" SPIN-TOP TYPE V REFRACTOR & GUARD	12" SPIN-TOP TYPE V REFRACTOR & GUARD
40	NA	120-277VAC	VM1L4030EZGLG	VM1L4030EZR5G	VM1L4030EZR5G	VM1L4030EZR5G
45	NA	120-277VAC	VM1L4530EZGLG	VM1L4530EZR5G	VM1L4530EZR5G	VM1L4530EZR5G
50	NA	120-277VAC	VM1L5030EZGLG	VM1L5030EZR5G	VM1L5030EZR5G	VM1L5030EZR5G

① Catalog numbers shown are with Guard; to omit guard change ending G to N; e.g. VM1L4530D5GLN

② Catalog numbers shown are with 1-1/2" conduit openings; change "5" to "4" for 1-1/4" e.g. VM1L4530D4GLG

③ 120VAC through 277VAC 50/60Hz

④ VMEZA tank adapters UL "classified" as an assembly for use between VM tanks and EZ mounts.

Order EZ mounts separately (see below).

MOUNTING BOXES FOR EZ ADAPTER

CATALOG NUMBER				HUB SIZE
PENDANT	CEILING	BRACKET	STANCHION	
EZA2	EZX2	EZB2	—	3/4"
EZA3	EZX3	EZB3	—	1"
—	—	—	EZD4A*	1-1/4"/1-1/2"*

*1-1/2" furnished with 1-1/2"-1-1/4" reducer and extension.



Pendant



Ceiling



Wall Bracket

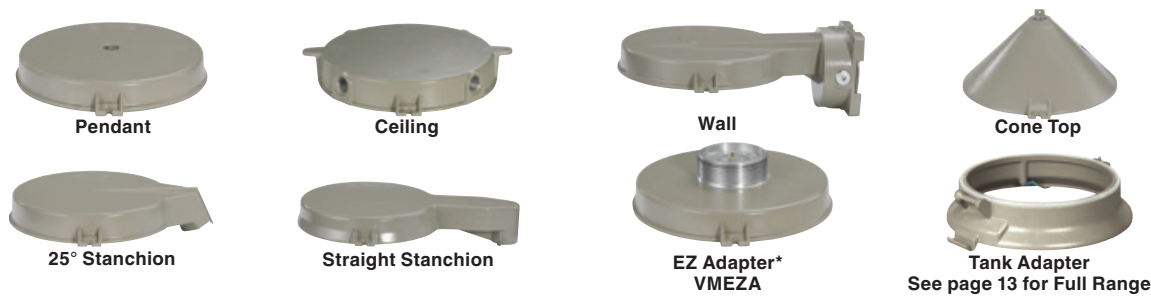


25° Stanchion



LIGHTING

REDUCED PROFILE – COMPONENTS



CERTILITE® VM MOUNTING SPLICE BOXES							
HUB SIZE	CATALOG NUMBER						
	PENDANT	CEILING 4 HUB	CEILING 5 HUB	WALL	CONE TOP	25 DEGREE STANCHION	90 DEGREE STANCHION
3/4"	VMA2B	VMX2B	VMX6B	VMB2B	VMC2B	—	—
1"	VMA3B	VMX3B	VMX7B	VMB3B	VMC3B	—	—
1-1/4"	—	—	—	—	—	VMD4B	VMS4B
1-1/2"	—	—	—	—	—	VMD5B	VMS5B
M-20	—	VMX8B**	VMX9B**	VMB8B**	—	—	—

* VMEZA is used between a ballast tank and an EZ mount-ordered separately. See page 18 for more information.
 ** Furnished with non-metallic plugs. Also available: VMB10B wall 4xM25 hubs, and VMB810B 2xM20 side hubs and 2xM25 top/bottom

VM1L LED OPTICS AND ACCESSORIES		
DESCRIPTION	OPTIC LOGIC	GUARD
Globe (glass)	VMG17 (GL)	VMAG17
Refractor (all glass) Type V	VMR175 (R5)	VMAG17
Refractor (spin top) 8" Type V	VZRG1550 (S8)	VMRWG8
Refractor (spin top) 12" Type V	VZRG2550 (S5)	VMRWGS
Refractor polycarbonate (spin-top) 12" Type V	VZRP175 (P5)	VMRWGS
DOME REFLECTOR (Polyester reinforced fiberglass)	VMPSD40	NA
ANGLE REFLECTOR (Polyester reinforced fiberglass)	VMPA40	NA
120VAC Photocell with FS Style Cover	VMFSPC1	NA
208-277VAC Photocell with FS Style Cover	VMFSPC2	NA
3-sided EXIT Accessory (use without guard)	VEXA100B	NA
Tank adapter to Crouse-Hinds® VM Series mounts*	VMCHVM	NA

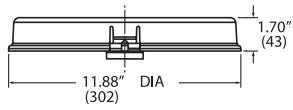


ORDERING INFORMATION AND AMBIENT SUITABILITY					C1D2		C2D1		L70			
CATALOG NO.	WEIGHT LBS./KG	WATTS	VOLTAGE	AMPS	VMG15 LUMENS	VMR175 LUMENS	40°C	55°C	40°C	55°C	TM-21	CALCULATED
VM1L4005	15.50 / 7.03	40	480 VAC	0.09	3812	4019	T6	T5	T4 (EFG)	60100	270000	
VM1L4015			347 VAC	0.13								
VM1L4027			12-24VDC	3.33-1.67								
VM1L4030			120-277VAC	0.36-0.16								
VM1L4505	15.50 / 7.03	48	480 VAC	0.10	2858.00	2955	T4A	T4	T4 (EFG)	60100	270000	
VM1L4515			347 VAC	0.14								
VM1L4527			12-24VDC	4.00-2.00								
VM1L4530			120-277VAC	0.42-0.18								
VM1L4534			120-250VDC	0.40-0.19								
VM1L5005	15.50 / 7.03	50	480 VAC	0.10	6162.00	6427	T5	T4A	T4 (EFG)	72600	278000	
VM1L5015			347 VAC	0.14								
VM1L5027			12-24VDC	4.17-2.08								
VM1L5030			120-277VAC	0.43-0.18								

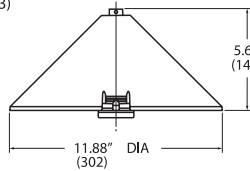
① Driver THD < 20%, Powerfactor 99% @ 120V; Line Regulation 2%; Load regulation 5%; Protected against Over-voltage and Over-current.
 ② VMRWG8 Plated Steel, VMRWGS 316 Stainless Steel.
 ③ TM-21 based values require very long duration testing. The TM-21/L70 "official reported" value is based on at least 10,000 hours testing (at time of printing) at 1000mA to 1500mA drive current, depending on LED chip utilized. "reported L70" is a factor of test duration. KILLARK's MBL series utilizes lower 350mA or 700mA maximum drive current - "calculated" values by the major chip vendors utilized predict L70 life up to 278,000+ hours even at 1000mA.



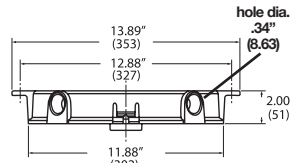
REDUCED PROFILE – DIMENSIONS & WEIGHTS



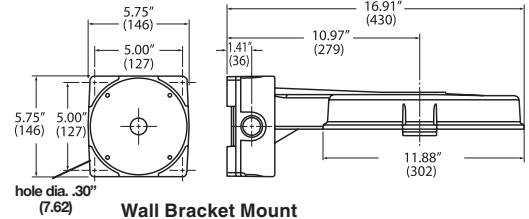
Pendant Mount



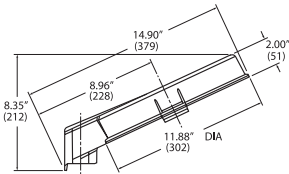
Cone Mount



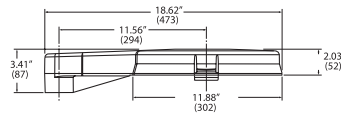
Ceiling Mount



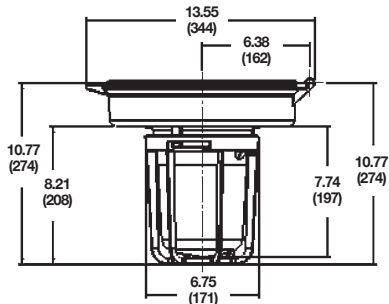
Wall Bracket Mount



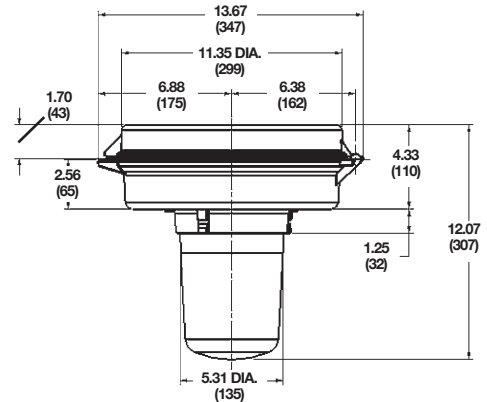
Stanchion (25°) Mount



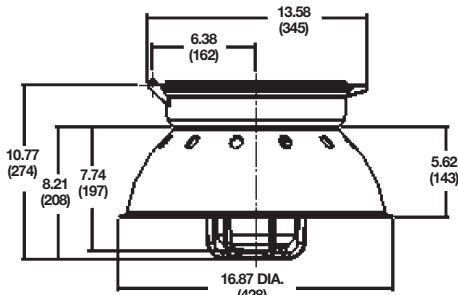
Stanchion (0°) Mount



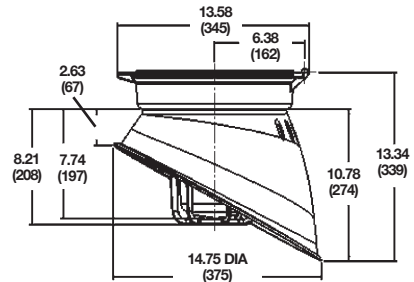
VM1L Tank Globe & Guard



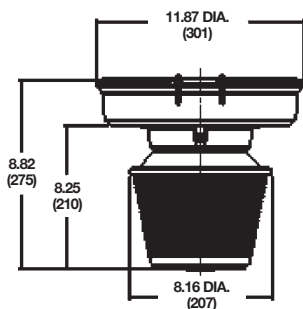
VM1L Tank w/Pendant Mount & Globe



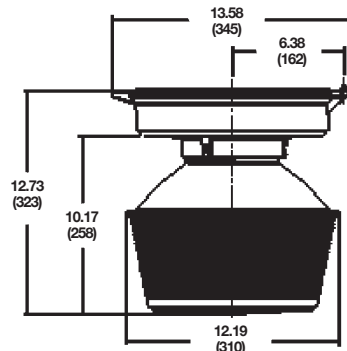
VM1L Tank with Dome Refractor



VM1L Tank with Angle Refractor



VM1L Tank with 8" Spin-top Refractor



VM1L Tank with 12" Spin-top Refractor

TYPICAL WEIGHTS (LBS.) W/ STANDARD GLOBE AND GUARD - VM1L SERIES

Pendant 23.00	Ceiling 24.10	Wall 27.50	Stanchion 23.90
---------------	---------------	------------	-----------------